

Convenience:

The ProfiClave features an intuitive software. Twenty storable programs for each mode of operation are easy to enter and easily accessible via a convenient touch screen. The ProfiClave offers an easily removable inner vessel and an automatic self-cleaning cycle to simplify clean-up. A large sample port for the addition of supplements is supplied as standard.

Mechanical and Electronic Security Features:

A complete safety program monitors all pressure and heating functions.

1. Auto-lock of outer safety lid with bolt catch prevents the lid from opening during operation.
2. Pressure chamber with central safety lock closing system.
3. Pressure sensors and valves prevent over-pressuring the unit during operation.
4. 4 level safety system.

In addition, the unit is equipped with a mechanical pressure gauge that operates independently of the power supply. Before each run, a pressure test is executed, preventing the system from starting before the vessel is fully sealed. The pressure pump prevents flash boiling during cool-down.

Operated by means of a touch screen!

All program data, parameters, and operating states are clearly displayed on a backlit, graphic monitor. All entries are made via touch keys (soft keys) and a numeric keypad. The unit monitors all device functions (motors, sensors and switches) at the start and throughout the sterilisation process. The ProfiClave is interfaced to a host PC, through its front or rear ports.

Version / Electrical Data					
ProfiClave PC20B	Europe	1x230 VAC	L, N, PE (EU)	complete version	620 001
ProfiClave PC20B	Europe	3x400 VAC	3L, N, PE (EU)	complete version	620 002
ProfiClave PC20B	USA	2x240 VAC	2L, PE (USA)	complete version	620 003
ProfiClave PC20B	Japan	1x200 VAC	LNE (JAP)	complete version	620 004

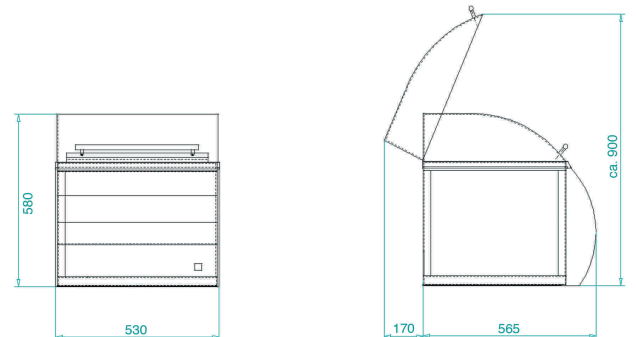
Each ProfiClave complete version consists of	
1 Stainless steel vessel 18l with handle	620 242
1 Magnetic stirrer for PC10B / PC20B	600 208
1 Sterile filter, pore size 0.45 µm	600 202
1 Lid seal pressure vessel, silicone	620 240
1 Paper roll for thermo printer	700 150
1 Decanting tube, with silicone tube and screw nut	600 204
1 Water tube set (cooling in, cooling out, waste)	600 212
1 Pt100 sensor, flexible for PC20B	620 161
1 User manual CD version	620 800
1 27/28 mm fork spanner	620 219
1 Vitamin-port pressure cap	600 245

Options	
Base plate for PC10/PC20 autoclave usage	620 141
Reserve seal pressure vessel, silicone	620 240
Reserve stainless steel vessel	620 242
Twin PT100 sensor for PC20B	620 246
Paper roll (5/Pk) for thermo printer (5 years stable)	700 150

SEGO® Soft



Recorder software for ProfiClave (SegoSoft), real time recording, process documentation in PDF documents (EN 285/13060) database-file organizer for PC Windows 2000/XP **600 990**



Mechanical data and environment		
Dimensions W x H x D	530 / 580 / 565mm (900 open hood)	750 / 700 / 840mm packed
Weight	54,3 kg	73,3 kg packed on mini palette
Water connection	¾ inches (waste, cooling, DI water)	4 bar, max consumption 1.8l/min
Capacity	total pressure vessel 23L	16L net Agar stirred in inner vessel
Accuracy of temperature	0.1°C resolution, ± 0.5°C	
Water quality (convection medium)	deionised water	requires minimal electrical conductivity
Required cooling water quality	< 12° (German) or < 20° (French)	10 - 25°C temperature

Software parameters	Value	Details
Programmes	20 on each function, total 60	all process parameters selectable
Depressurised sterilisation at 100°C	yes, on each programm individually	
Double heating cycle (chocolate Agar)	yes, on each programm individually	
Sterilisation	70 - 122°C	1 - 120 Min
Max dispensing time	480 Min	regulated at dispense temp.
Stirrer Speed	45 - 230rpm	variable, selectable on each step
Printer	yes	print cycle off, or 15 Sec up to 10 Min
Graphic display	touch screen, 240 x 128 pixels	with LED backlighting
Interfaces	3 x RS232	1 in instrument front
Timer / scheduled start	selectable timer 0 min - 24 hours!	automatic programme start

Process Data	Value I / small volume	Value II / large volume
Heat up cycle time, start temp 40°C	3L in 25 Min from 40°C to 121°C	16L in 50 Min at 121°C
Cool down cycle, target temp 55°C	3L in 10 Min from 121°C to 55°C	16L in 20 Min from 121°C to 55°C
Process (40° - > 121°/15Min - > 55°)	3L in 50 Min	16L in 85 Min

BIOTOOL AG
Mühlegasse 7
CH-3400 Burgdorf

Tel. ++41 (0)34 423 50 60
info@biotoolswiss.com
www.biotoolswiss.com

BIOTOOL SWISS
innovative laboratory technology